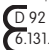
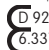


# S 100

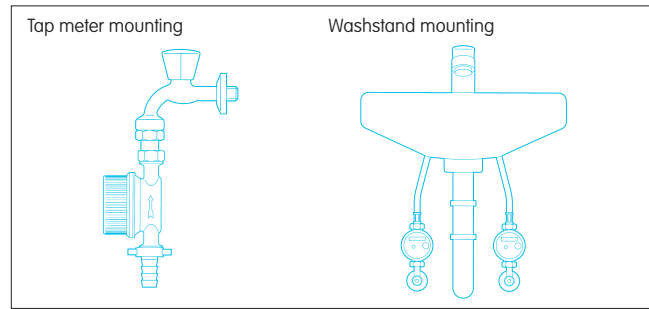
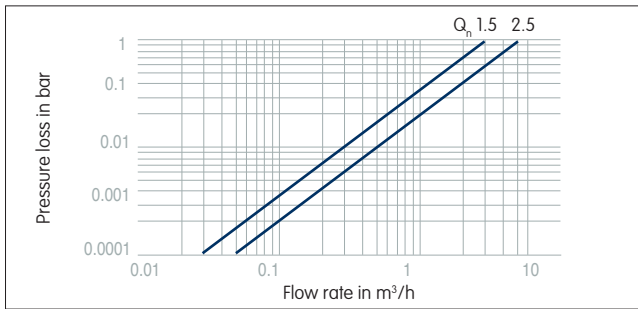
## Single-jet meter PICOFLUX

For standard installations



Approval	Approval
Cold water up to 30 °C	Hot water up to 90 °C
 D 92 6.131.92	 D 92 6.331.31

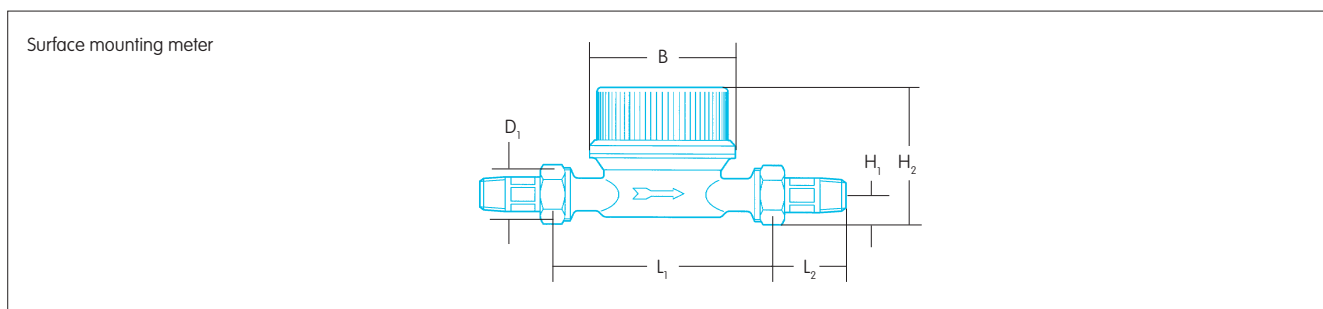
- Single-jet meter dry dial EV
- Nominal flow rate  $Q_n$  1.5 and 2.5
- Cold water up to 30 °C, hot water up to 90 °C
- Universal installation (H/V)



<b>Single-jet meter EV</b>		1.5	1.5	1.5	1.5	2.5
Meter size / Nominal flow rate	$Q_n$ m³/h	1.5	1.5	1.5	1.5	2.5
Nominal size	DN mm	15	15	15	20	20
	DN inches	1/2	1/2	1/2	3/4	3/4
<b>Ordering number</b>	Initial certification class	A	B	R	B	B
EV	$T_{max}$ 30 °C	1141453	1178462	R	0632449	1178322
	$T_{max}$ 90 °C	1161527	1199249	R	R	1178330
$D_1$	Meter connection thread	ISO 228/1 inches	G 3/4 B	G 3/4 B	G 3/4 B	G 1 B
B	Width	mm	70	70	70	70
$L_1$	Length without connection	mm	80	110	130	130
$L_2$	Connector length	mm	40	40	40	50
$H_1$	Centerline height	mm	17	17	17	21
$H_2$	Overall height	mm	73	69	69	72
Weight	kg	0.40	0.45	0.53	0.55	0.55
<b>Performance characteristics</b>						
Horizontal/riser installation						
Maximum flow rate	$Q_{max}$ m³/h	3	3	3	3	5
Transitional flow rate	$Q_1$ l/h	150	120	120	120	120
Minimum flow rate	$Q_{min}$ l/h	60	30	30	30	30
Continuous load	l/h	1 500	1 500	1 500	1 500	2 500
Temperature	$T_{max}$ °C	30 / 90	30 / 90	30 / 90	30 / 90	30 / 90
Pressure rating	PN	16	16	16	16	16
Flow capacity	at 1 bar pressure loss m³/h	3.11	3.08	3.05	3.08	5.1

R: on request

Accessories	Dimensions/inches	Ordering number
Tap meter mounting	Thread- and house connexion G 3/4	0160583
Washstand mounting	Connexion angle valve R 3/8 with nut G 3/4	0127142
	Connexion copper pipe 10 mm R 3/8 x 10 - G 3/4	0127135
	Flexible metal tube R 3/8 x 10 - G 3/4	0159269



ELSTER Messtechnik GmbH  
 Otto-Hahn-Strasse 25  
 68623 Lampertheim, Germany  
 T +49 (0) 62 06 933 0  
 F +49 (0) 62 06 933 100  
 E messtechnik@de.elster.com  
 www.elstermesstechnik.com  
 S100\_D\_02.05e / 11.10  
 Changes without notice and  
 falcities excepted

